

# Cubs For Kids



## HAND-KNIT SCARF, SWEATER AND HAT FOR BEAR CUB

### MATERIALS

Number 3 & 5 needles (approximately 6 stitches to the inch) or any combination of needles which will make your garments the dimensions indicated on the diagram below.

### SCARF

Cast on 12 stitches

Row 1 Knit

Row 2 Purl

Continue until scarf measures 20 inches. The scarf can be anything you wish.

### SWEATER

#### **Back:**

On smaller needles, cast on 36 stitches.

K1, P1 for one inch.

Change to larger needles and continue to Knit one row, Purl one row. Continue in this fashion until piece measures 4 ½ inches, ending with Purl Row. On the next row, Knit 11 stitches, put the next 14 stitches on a stitch holder, tie on another ball of yarn and knit the next 11 stitches. On next row purl the 11 stitches, leave the 14 stitches on the holder alone and purl the next 11 stitches. On knit row, knit 9 stitches and decrease the last stitch on the neck edge (knit last two stitches together). Go to other neck edge and decrease one stitch at neck edge (knit first two stitches together). Continue knit and purl rows on these 10 stitches until back measures 5 inches.

#### **Front:**

Work same as back. When piece measures 4 inches, divide the stitches as follows: Knit 12 stitches put 12 stitches on a stitch holder, add another ball of yarn and knit the next 12 stitches. Continue as back, decreasing one stitch on neck edge on every knit row until there are 10 stitches left on each shoulder and piece measures 5 inches.

Sew or knit shoulder seams together.

#### **Neck:**

On double pointed needles, pick up back stitches (14) then pick up 6 stitches on left neck edge. Knit 12 stitches from the front stitch holder and again pick up 6 stitches along right neck edge. You will now have 38 stitches in total. Stitches should be divided evenly on three needles. You will use the fourth needle to knit with. Place a marker where you start and Knit one row of knit. Then at the beginning of the next round Knit all of the stitches on the first round. Then K1, P1 for 2 ½ inches to make the ribbed turtle neck. If you want a rolled neck, just knit in the round for

1 ¾ inches, if you want a crew neck K1, P1 for ¾ of an inch and bind off loosely.

### **Sleeves:**

Cast on 30 stitches.

On small needle K1 P1 for one inch.

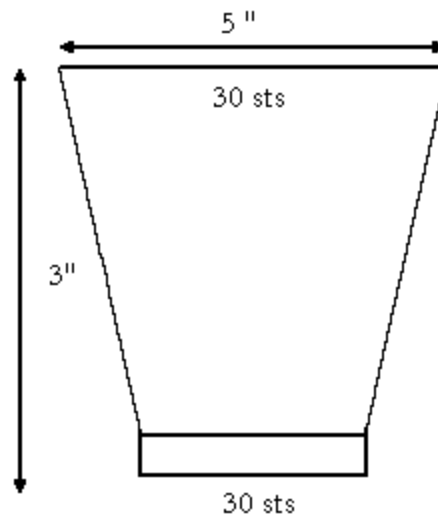
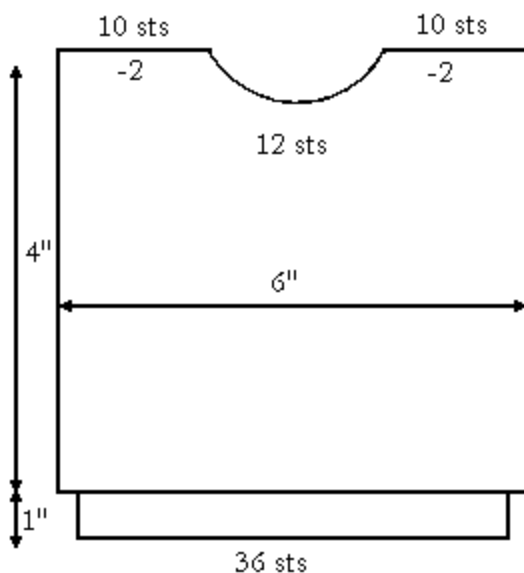
Change to larger needles and Knit 1 row, Purl 1 row. Continue until sleeve measures 3 inches. Bind off loosely.

Finish sweater by sewing sleeves and side seams together.

### **HAT**

On double pointed needles cast on 56 stitches on three needles. K1, P1 in the round until piece measures 2 inches. Change to larger needles and knit in the round until piece measures 3 inches. On next three rounds, knit 3 stitches, knit 2 together, repeat to end of rounds. Then knit one plain round. With a sewing needle, thread the yarn and draw the yarn through the remaining stitches to finish the hat. You may wish to add a pom-pom to the top of the hat.

You may use any colors, patterns or stitch patterns you like. Just remember the dimensions of the cub you are knitting for.



**Hand-Knit  
Instructions Image**